



NEW MAXSPECT FLOW PUMP GYRE 300 SERIES !

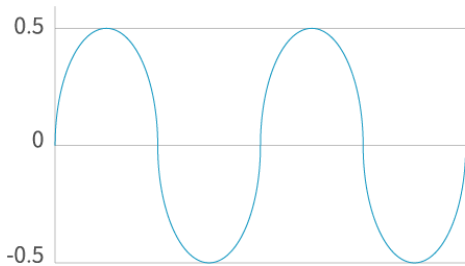


Quieter thanks to the sine wave technology from the turbine duo!

SINE WAVE TECHNOLOGY



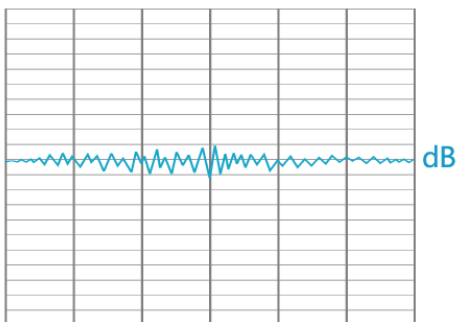
Electricity current alternates in a much smoother pendulum while using sine wave technology



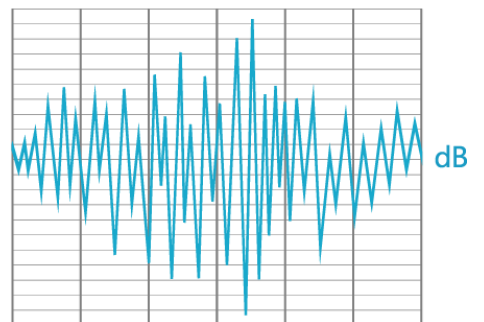
Electricity current alternates in a very sharp pattern while using traditional technology.



Sine wave technology decibel level



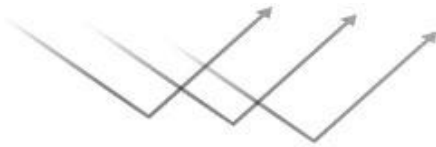
Traditional technology decibel level



WITH FLOW DIRECTOR



Enhances water flow direction, moving water to any place within your tank more precisely.



Shields the cages and rotors from light from your fixture, slows down algae grows on them and reduces the need of frequent maintenance

FLOW DIRECTOR



With the flow director, the Gyre pump can be positioned closer to the surface of the water, thus reducing the effects of breakage with the water surface and preventing the formation of vortices.

1 CONTROLLER AND 2 PUMPS



The Gyre 300 series is a 1-controller-2-pumps system, which allows users to program the paired pumps to run different water movement programs.

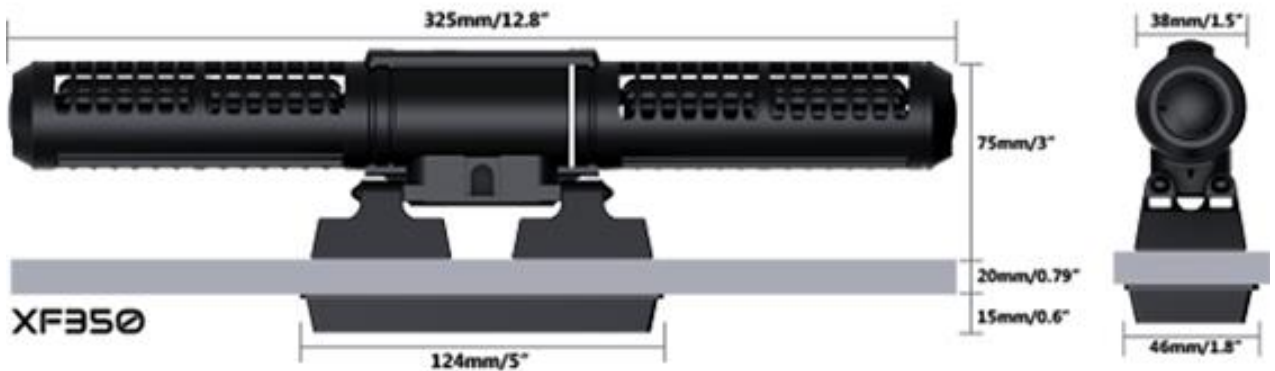
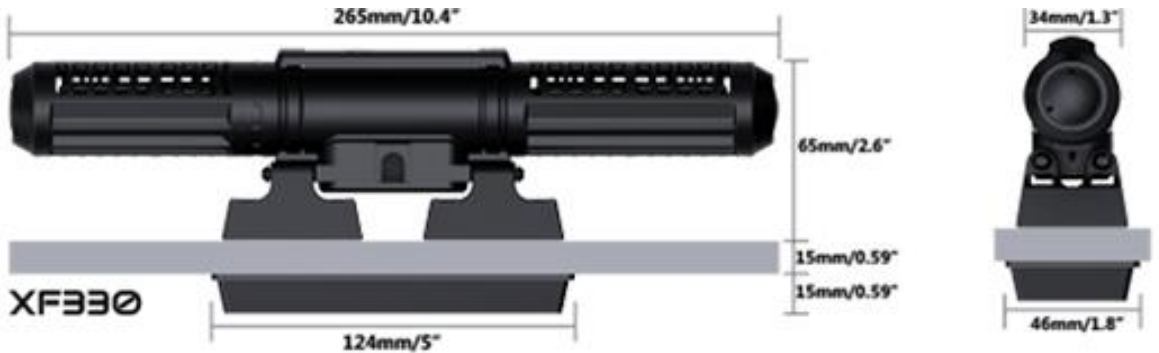
SYNA-G APP SUPPORT FOR IOS AND ANDROID DEVICES



The new "Custom Wave" mode allows users to very easily setup up to 3 different water movement modes which will be cycled through one after the other.



TECHNICAL SPECIFICATIONS



| | XF330 | XF350 |
|-----------------------------------|---------------------|---------------------|
| Power consumption: | 5-35w | 5w-60w |
| Flow Rate: | 9000 L/h | 20000 L/h |
| Suitable for Aquarium: | 100-400L | 200-3000L |
| Power Supply unit: | 100-240V / 50-60Hz | 100-240V / 50-60Hz |
| Dimension: | 265mm x 65mm x 34mm | 325mm x 75mm x 38mm |
| Weight: | 575g | 645g |
| Cable length: | | |
| Controller to Pump | 3m | 3m |
| Power Supply to Controller | 1.5m | 1.5m |
| Glass Thickness: | | |
| Standard Installation | 20mm | 20mm |
| With reinforcement magnet | 25mm | 25mm |

PACKAGING AND RECOMMENDED RETAIL PRICE

| Packaging | RRP incl. VAT |
|--|---------------|
| XF330 STANDARD 1 Gyre XF330 + 1 Power Supply and 1 Controller | 289,00 € |
| XF330 DOUBLE 2 Gyre XF330 + 2 Power Supply and 1 Controller | 419,00 € |
| XF330 SINGLE 1 Gyre XF330 alone (End of January 2019) | 149,00 € |
| XF350 STANDARD 1 Gyre XF350 + 1 Power Supply and 1 Controller | 329,00 € |
| XF350 DOUBLE 2 Gyres XF350 + 2 Power Supply and 1 Controller | 469,00 € |
| XF330 SINGLE 1 Gyres XF350 alone (End January 2019) | 169,00 € |

Gyre compatibility

IMPORTANT !

The Gyre 300 series motors use the sine wave technology and therefore **the Gyre 300 series are not compatible with the Gyre 100 and 200 series!**