



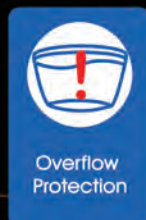
***THE BEST VALUE FOR YOUR MONEY***



**SK SERIES**  
**PROTEIN SKIMMER**



# DUAL INTAKE + DUAL NEEDLE WHEEL PROTEIN SKIMMER



Integrated, efficient  
and streamline

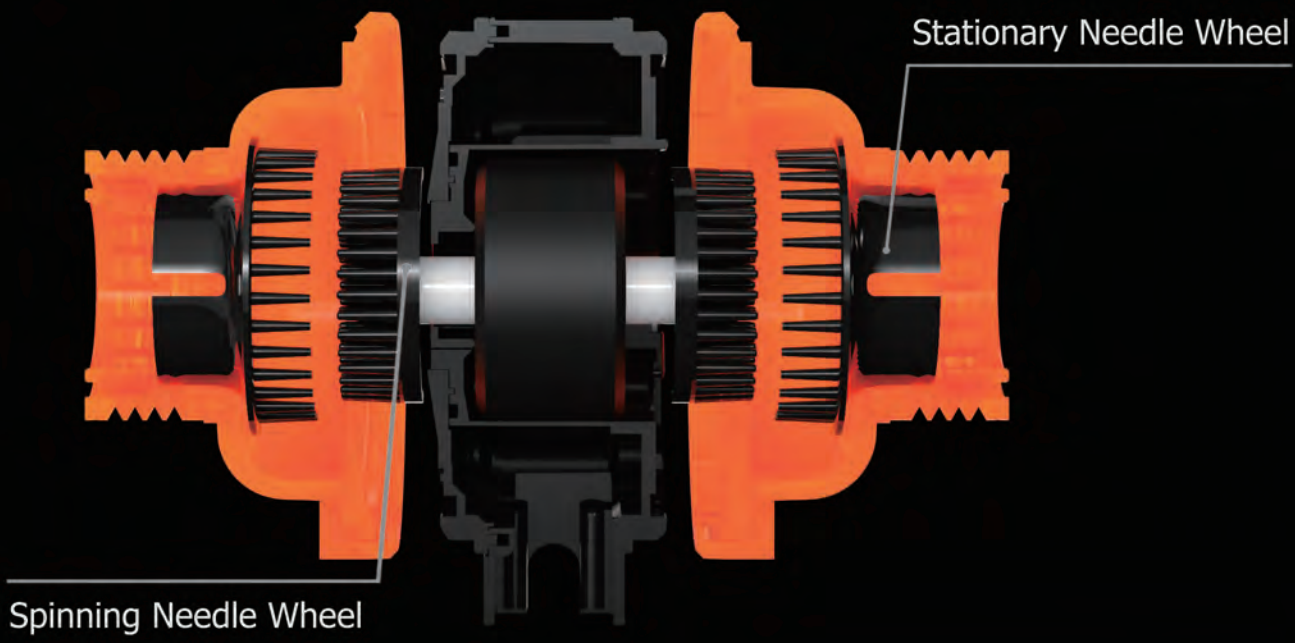
# INTEGRATED, EFFICIENT AND STREAMLINE





# *PATENTED DUAL NEEDLE WHEEL DESIGN*

*Integrated, efficient  
and streamline*



Integrated, efficient  
and streamline

# DC POWERED SKIMMER WITH SMART CONTROL



Features loaded: Feeding mode, overflow protection, start delay and more.

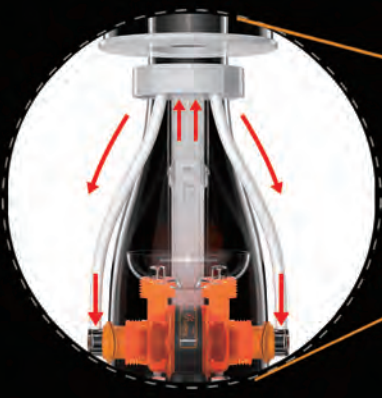


Integrated, efficient  
and streamline

# INNOVATIVE DESIGNS - NOT YOUR TYPICAL SKIMMER



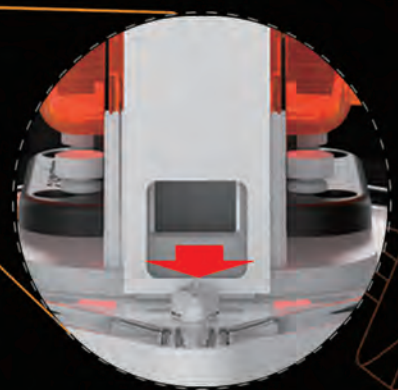
Adjust the water level precisely  
and easily with the front dial.



Integrated air silencer



Special integrated bubble trap  
to prevent micro bubble from  
escaping into your sump.



Integrated, efficient  
and streamline

# QUICK RELEASES MAKES MAINTENANCE EASY



Similarly, cleaning and maintenance of the skimmer is made easy with the quick release design.



# SPECIFICATION

Integrated, efficient  
and streamline



Model	MJ-SK400
Wattage	25w
High Bioload	400L/100gal
Low Bioload	1000L/265gal
Water Level	18-22cm/7"- 8½"
Height	555.5mm/21¾"
Footprint	200x200mm/7¾"x7¾"
Water Flow	1200LPH/317GPH
Air Intake	600LPH/158GPH



# CONFIGURATION ILLUSTRATED

## High Bioload



Suitable for reef aquariums with many corals, invertebrates, anemones, and fishes; or fish-only aquariums with a lot of fishes.

## Medium Bioload



Suitable for reef aquariums with some corals, invertebrates, anemones and fishes; or fish-only aquariums with some fishes.

## Low Bioload



Suitable for reef aquariums with only a few corals, invertebrates, anemones and fishes; or fish-only aquariums with only a few fishes.

400 L/100 gal

700 L/185 gal

1000 L/265 gal